
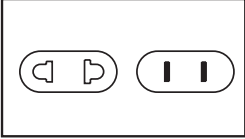


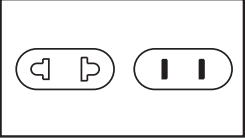


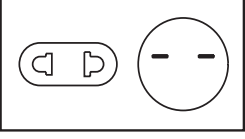


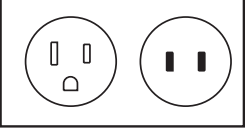




## INTERNATIONAL ADAPTERS 2 Pole 2 Wire

### European to American

	Receptacle End	Plug End	Cat. No.	Description
			30340	Allows European 250 volt 2 wire plugs with <b>4.8 mm pins</b> and some 3 wire round pin plugs to interface with NEMA 5-15R, 1-15R (15 amp 125 volt), 5-20R (20 amp 125 volt) receptacles. Also allows polarized (wide blade American) plugs to interface with non-polarized receptacles. Designed for appliances that do not require grounding.
			30340-A	Allows European 250 volt 2 wire plugs with <b>4.0 mm pins</b> and some 3 wire round pin plugs to interface with NEMA 5-15R, 1-15R (15 amp 125 volt), 5-20R (20 amp 125 volt) receptacles. Also allows polarized (wide blade American) plugs to interface with non-polarized receptacles. Designed for appliances that do not require grounding.
			30350	Allows European 250 volt 2 wire plugs with 4.0 mm / 4.8 mm pins and some 3 wire round pin plugs to interface with NEMA 6-15R (15 ampere 250 volt) and 6-20R (20 ampere 250 volt) receptacles. Designed for appliances that do not require grounding.
			30500	Allows NEMA 5-15P and NEMA 1-15P (15 ampere 125 volt) polarized plugs to interface with American or Japanese 2 wire non-polarized receptacles. 6" grounding lead wire with spade terminal provided.  mark approval. <b>NOTE: See page 221 for dimensional data drawings.</b>

**NOTE:** Adapters often have a different rating on the blade (plug) end and the receptacle end. Caution should be exercised in their use.

1. The over current protection is determined by the plug end.
2. The use of the adapter should be limited to the rating of the adapter.

**Step-Down Auto Transformers. See Page 124**

**Designer Line Auto Transformers. See Page 125**

**Small Appliance Step-Down Auto Transformers. See Page 125**

