

INTERNATIONAL STEP-DOWN AUTO TRANSFORMERS - CONTINUOUS DUTY 220/240 Volt Input - 110/120 Volt Output 50/60 Hertz

Convert American Appliances And Equipment For Use On Foreign Voltages

DESIGNER LINE STEP-DOWN AUTO TRANSFORMERS

DESIGN FEATURES

1. NEMA 5-15R (15 ampere 125 volt) grounded receptacle
2. European "SCHUKO" CEE 7-7 plug on line cord
3. On / off power switch
4. Power indicator light
5. Durable carrying handle on 800, 1000 and 1500 watt models
6. Replaceable fuse on all units
7. Heavy duty metal case

Auto transformers change voltage levels and not frequency from 50 to 60 cycle (hertz) or vice versa. Appliances using synchronous motors should have the motor designed for the specific frequency if motor speed is critical for proper operation of the appliance or equipment.

NOTE:

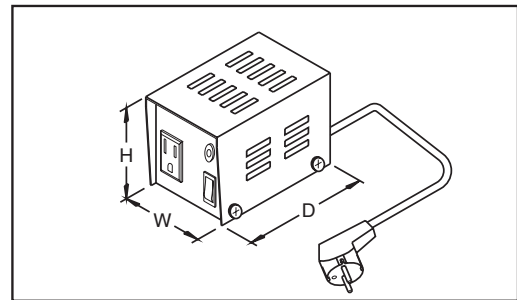
- Adapters Catalog Nos. 30220 (Australia / China), 30140 (U.K.), 30150 (Italy), 30160 (Italy), 30170 (Switzerland), 30195 (South Africa) and 30295 (Israel) can be used when mating the auto transformer line cord plug with receptacles used in those countries.

- **NOT** recommended for use with refrigerators.

* Receptacle on these units are duplex type.

USE AMERICAN APPLIANCES IN EUROPE

CATALOG NUMBER	WATTS (VA)	WEIGHT LBS.	DIMENSIONS		
			H	W	D
34010-EU	100	4	3"	3 1/4"	5"
34020-EU	200	6	3"	3 1/4"	5 1/2"
34030-EU*	300	8	3 5/8"	3 3/4"	6 1/8"
34050-EU*	500	10	3 5/8"	4 1/8"	6 3/8"
34080-EU*	800	16	4 3/8"	5 3/8"	7 1/2"
34100-EU*	1000	22	4 3/4"	6 1/8"	9"
34150-EU*	1500	28	6"	7"	10"



50 WATT STEP-DOWN AUTO TRANSFORMER

Catalog No. 32350

Allows NEMA 1-15P (2 pole 2 wire) polarized and non-polarized plugs, NEMA 5-15P (2 pole 3 wire) plugs to mate with almost all European / International receptacles with 4.0 / 4.8 mm round pins. Designed for use with small electronic or motorized appliances rated 50 watts or less. Changes 220 / 240 input voltage to 110 / 120 output voltage. Will not convert frequency from 50 to 60 cycle (hertz) or vice versa. **Not recommended for continuous use applications.**

NOTE:

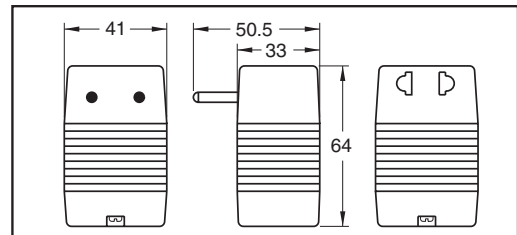
- **NOT** for use with heating appliances. I.E., lamps, hair dryers, hot plates, irons, steamers and heating pads, etc.
- Grounding continuity not provided when NEMA 5-15P plugs are used with Catalog No. 32350.

1600 WATT STEP-DOWN AUTO TRANSFORMER

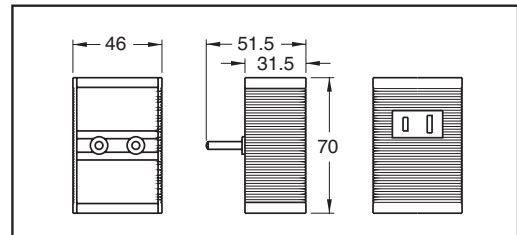
Catalog No. 32360

Designed for use with heating appliances. I.E., hair dryers, hot plates, irons, steamers, heating pads, etc.

NOTE: NOT for use with electronic or motorized appliances.



32350



32360

