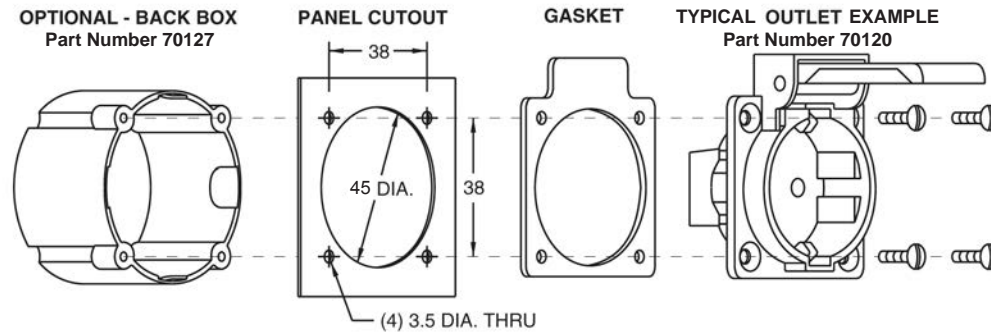


**PRODUCT INSTALLATION GUIDE  
SPLASHPROOF IP44 / IP54 RECEPTACLES**

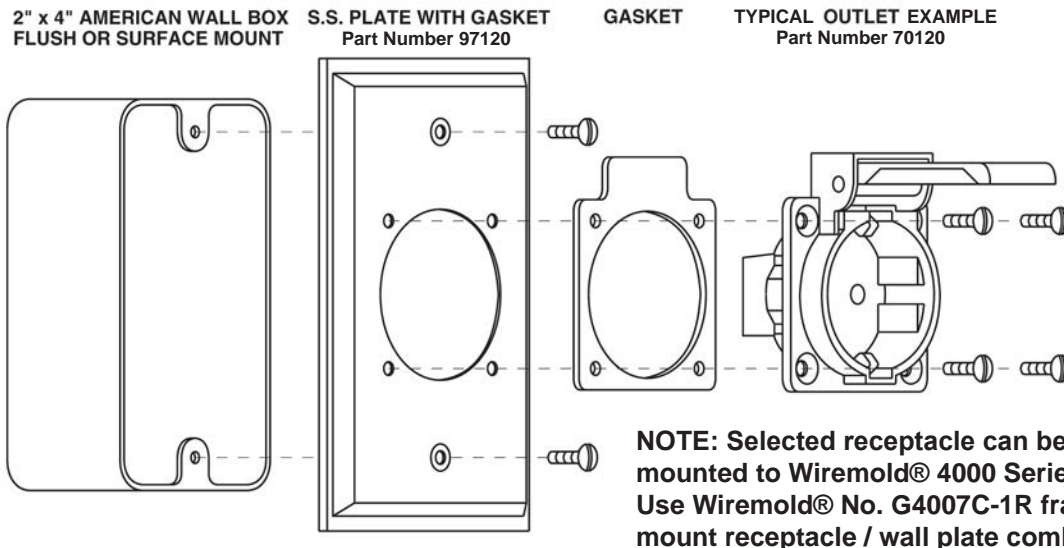
E-mail: [sales@internationalconfig.com](mailto:sales@internationalconfig.com)

Web site: [www.internationalconfig.com](http://www.internationalconfig.com)

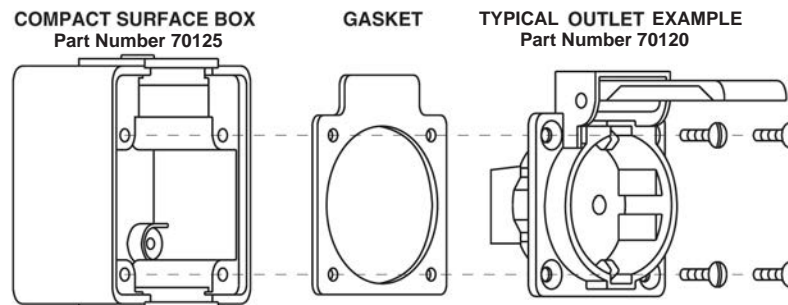
**PANEL MOUNTING**



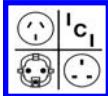
**FLUSH & SURFACE MOUNTING TO 2" x 4" WALL BOXES**



**SURFACE MOUNT TO COMPACT WALL BOX**



**See Modular Device Outlet Section Pages 93-100 for additional weatherproof products.**



© 2014 International Configurations, Inc. Entire contents of this catalog copyrighted. [www.InternationalConfig.com](http://www.InternationalConfig.com)

International Configurations, Inc. • P.O. Box 3374 • Enfield, Connecticut 06083 • TEL (860) 749-6380 • FAX (860) 749-2985