

International Configurations, Inc.

210 Moody Road - Enfield, CT 06082 USA

www.internationalconfig.com

sales@internationalconfig.com



Data Centers



IEC 60309 60 AMP Wiring Devices

IP67 / IP69K Watertight



UL 1682

Reliable power supply for data centers

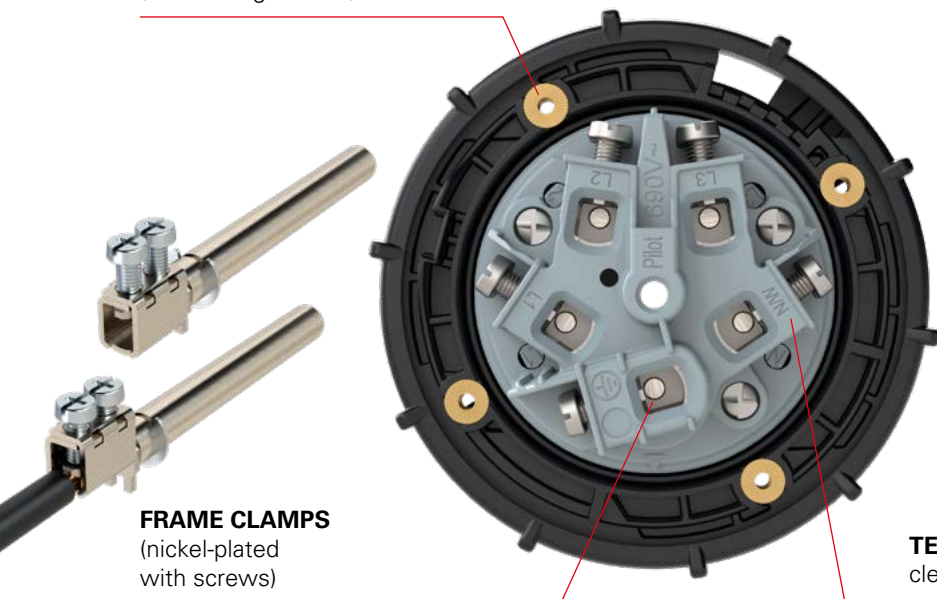
When it comes to powering server cabinets, 100% reliability is essential. PCE's high-quality pin & sleeve devices are ideal for PDUs in data centers. We offer plugs, connectors, wall sockets, and receptacles tailored to your needs. Our service is fast and flexible, even for large quantities.

PRODUCT INFORMATION

Features and benefits 60A



BRASS INSERTS
(for housing screws)





CABLE CLAMP
with strain relief



NPT thread 1 1/2"
possible for liquid
conduits



SLEEVES with SPRING
brass sleeves with CuBe lamellar spring

ADVANTAGES:

- soft insert and extraction
- high strength and elasticity
- very good conductivity
- corrosion resistance
- wear resistance



0349-9

60A

PLUGS

60A IP67/IP69k watertight

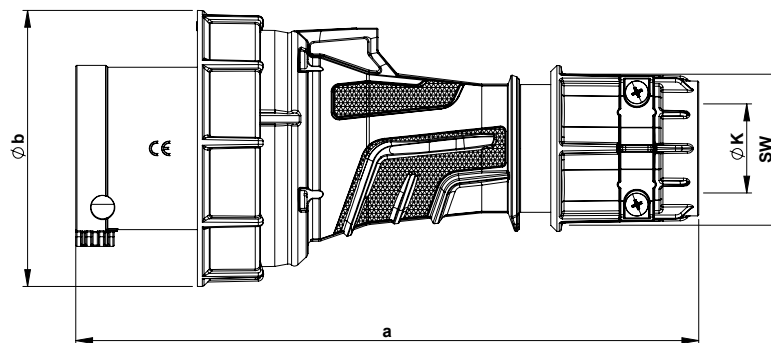
- with frame terminals
- housing material: PA6
- contacts: nickel plated
- OSHA-compliant hole for padlock lockout (Ø 3/8" lock shackle diameter)
- cable gland with 1 1/2" NPT
- IP rating: IP6X, X6, X7, X9k (watertight)
- UL type: 4, 4X

wire configuration	clock position	Symbol	Voltage (colors)	60A part number	UL LISTED 60A	HP-rating (locked rotor)
2P3W (3p)	4h		120VAC	0339-4	✓	2
	5h		277VAC	0339-5	✓	5
	6h		250VAC	0339-6	✓	3
	7h		480VAC	0339-7	✓	7.5
3P4W (4p)	5h		600VAC	0349-5	✓	25
	6h		380VAC	0349-6	✓	10
	7h		480VAC	0349-7	✓	20
	9h		250VAC	0349-9	✓	7.5
	12h		120/250VAC single phase	0349-12	✓	2/3
4P5W (5p)	5h		347/600VAC	0359-5	✓	25
	6h		200/346 to 240/415VAC	0359-6	✓	10
	7h		277/480VAC	0359-7	✓	20
	9h		120/208VAC	0359-9	✓	7.5

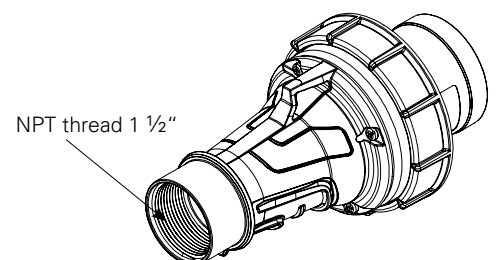


UL-product category: QLHN / QLHN7
UL-file number: E232901

IP67
IP69k
4,4X



Poles	60A		
	2P3W (3p)	3P4W (4p)	4P5W (5p)
a [mm / inch]	260 / 10.24	260 / 10.24	260 / 10.24
Øb [mm / inch]	115 / 4.53	115 / 4.53	115 / 4.53
ØK [mm / inch]	15-37 / 0.59-1.46	15-37 / 0.59-1.46	15-37 / 0.59-1.46
SW [mm / inch]	62 / 2.44	62 / 2.44	62 / 2.44
Weight [g / lb]	601 / 1.32	648 / 1.43	697 / 1.54





2359-6

CONNECTORS

60A IP67/IP69k watertight

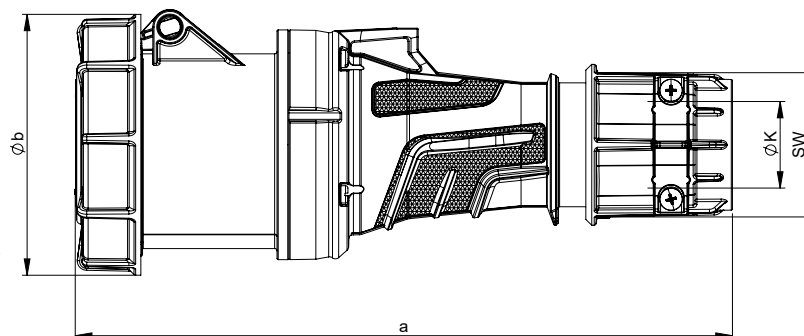
- with frame terminals
- housing material: PA6
- contacts: brass with lamellar spring CuBe
- cable gland with 1 1/2" NPT
- IP rating: IP6X, X6, X7, X9k (watertight)
- UL type: 4, 4X

wire configuration	clock position	Symbol	Voltage (colors)	60A part number	UL LISTED 60A	HP-rating (locked rotor)
2P3W (3p)	4h		120VAC	2339-4	✓	2
	5h		277VAC	2339-5	✓	5
	6h		250VAC	2339-6	✓	3
	7h		480VAC	2339-7	✓	7.5
3P4W (4p)	5h		600VAC	2349-5	✓	25
	6h		380VAC	2349-6	✓	10
	7h		480VAC	2349-7	✓	20
	9h		250VAC	2349-9	✓	7.5
	12h		120/250VAC single phase	2349-12	✓	2/3
4P5W (5p)	5h		347/600VAC	2359-5	✓	25
	6h		200/346 to 240/415VAC	2359-6	✓	10
	7h		277/480VAC	2359-7	✓	20
	9h		120/208VAC	2359-9	✓	7.5

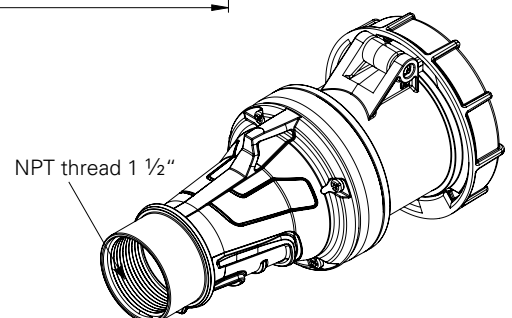


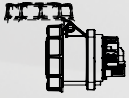
UL-product category: QLHN / QLHN7
UL-file number: E232901

IP67
IP69k
4,4X



Poles	60A		
	2P3W (3p)	3P4W (4p)	4P5W (5p)
a [mm / inch]	275 / 10.83	275 / 10.83	275 / 10.83
Øb [mm / inch]	112 / 4.41	112 / 4.41	112 / 4.41
ØK [mm / inch]	15-37 / 0.59-1.46	15-37 / 0.59-1.46	15-37 / 0.59-1.46
SW [mm / inch]	62 / 2.44	62 / 2.44	62 / 2.44
Weight [g / lb]	761 / 1.68	802 / 1.77	860 / 1.9





3349-9

RECEPTACLES FLANGE STRAIGHT

60A



60A IP67/IP69k watertight

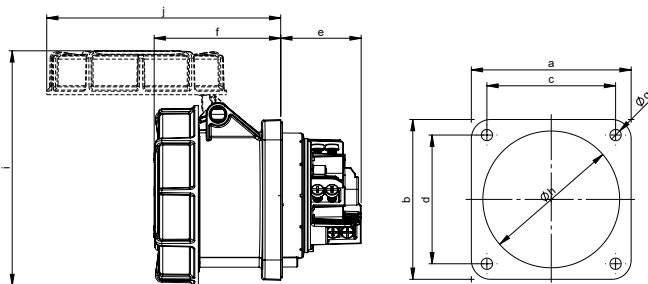
- with frame terminals
- housing material: PA6
- contacts: brass with lamellar spring CuBe
- flange size 100x100mm (3.94x3.94 inches)
- IP rating: IP6X, X6, X7, X9k (watertight)
- UL type: 4, 4X

wire configuration	clock position	Symbol	Voltage (colors)	60A part number	UL LISTED 60A	HP-rating (locked rotor)
2P3W (3p)	4h		120VAC	3339-4	✓	2
	5h		277VAC	3339-5	✓	5
	6h		250VAC	3339-6	✓	3
	7h		480VAC	3339-7	✓	7.5
3P4W (4p)	5h		600VAC	3349-5	✓	25
	6h		380VAC	3349-6	✓	10
	7h		480VAC	3349-7	✓	20
	9h		250VAC	3349-9	✓	7.5
	12h		120/250VAC single phase	3349-12	✓	2/3
4P5W (5p)	5h		347/600VAC	3359-5	✓	25
	6h		200/346 to 240/415VAC	3359-6	✓	10
	7h		277/480VAC	3359-7	✓	20
	9h		120/208VAC	3359-9	✓	7.5



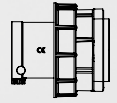
UL-product category: QLIW / QLIW7
UL-file number: E252008

IP67 IP69k 4,4X



Poles	60A		
	2P3W (3p)	3P4W (4p)	4P5W (5p)
a x b [mm / inch]	100x100 / 3.94x3.94	100x100 / 3.94x3.94	100x100 / 3.94x3.94
c x d [mm / inch]	80x80 / 3.15x3.15	80x80 / 3.15x3.15	80x80 / 3.15x3.15
e [mm / inch]	50 / 1.97	50 / 1.97	50 / 1.97
f [mm / inch]	80 / 3.15	80 / 3.15	80 / 3.15
g [mm / inch]	7 / 0.28	7 / 0.28	7 / 0.28
h [mm / inch]	85 / 3.35	85 / 3.35	85 / 3.35
i [mm / inch]	147 / 5.79	147 / 5.79	147 / 5.79
j [mm / inch]	146 / 5.75	146 / 5.75	146 / 5.75
Weight [g / lb]	488 / 1.08	533 / 1.18	587 / 1.29

6359-7



INLETS FLANGE STRAIGHT

60A IP67/IP69k watertight

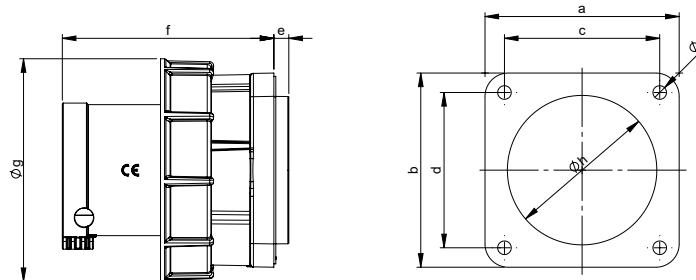
- with frame terminals
- housing material: PA6
- contacts: nickel plated
- OSHA-compliant hole for padlock lockout (Ø 3/8" lock shackle diameter)
- IP rating: IP6X, X6, X7, X9k (watertight)
- UL type: 4, 4X

wire configuration	clock position	Symbol	Voltage (colors)	60A part number	UL LISTED 60A	HP-rating (locked rotor)
2P3W (3p)	4h		120VAC	6339-4	✓	2
	5h		277VAC	6339-5	✓	5
	6h		250VAC	6339-6	✓	3
	7h		480VAC	6339-7	✓	7.5
3P4W (4p)	5h		600VAC	6349-5	✓	25
	6h		380VAC	6349-6	✓	10
	7h		480VAC	6349-7	✓	20
	9h		250VAC	6349-9	✓	7.5
	12h		120/250VAC single phase	6349-12	✓	2/3
4P5W (5p)	5h		347/600VAC	6359-5	✓	25
	6h		200/346 to 240/415VAC	6359-6	✓	10
	7h		277/480VAC	6359-7	✓	20
	9h		120/208VAC	6359-9	✓	7.5



UL-product category: QLIW / QLIW7
UL-file number: E252008

IP67
IP69k
4,4X



Poles	60A		
	2P3W (3p)	3P4W (4p)	4P5W (5p)
a x b [mm / inch]	100x100 / 3.94x3.94	100x100 / 3.94x3.94	100x100 / 3.94x3.94
c x d [mm / inch]	80x80 / 3.15x3.15	80x80 / 3.15x3.15	80x80 / 3.15x3.15
e [mm / inch]	50 / 1.97	50 / 1.97	50 / 1.97
f [mm / inch]	80 / 3.15	80 / 3.15	80 / 3.15
g [mm / inch]	7 / 0.28	7 / 0.28	7 / 0.28
h [mm / inch]	85 / 3.35	85 / 3.35	85 / 3.35
i [mm / inch]	147 / 5.79	147 / 5.79	147 / 5.79
j [mm / inch]	146 / 5.75	146 / 5.75	146 / 5.75
Weight [g / lb]	474 / 1.04	497 / 1.1	550 / 1.21

IP67

OVERVIEW

QUICK ORDERING SYSTEM - PCE part numbers



60A IP67 watertight

Amps	Poles	Ground Pin	Voltage (colors)	PLUGS	CONNECTORS	RECEPTACLES			INLETS	
						flange straight	flange angled	wall (surface) mount	flange straight	wall mount
60A	2P3W (3p)	4h	120VAC	0339-4	2339-4	3339-4	-	-	6339-4	-
		5h	277VAC	0339-5	2339-5	3339-5	-	-	6339-5	-
		6h	250VAC	0339-6	2339-6	3339-6	-	-	6339-6	-
		7h	480VAC	0339-7	2339-7	3339-7	-	-	6339-7	-
	3P4W (4p)	5h	600VAC	0349-5	2349-5	3349-5	-	-	6349-5	-
		6h	380VAC	0349-6	2349-6	3349-6	-	-	6349-6	-
		7h	480VAC	0349-7	2349-7	3349-7	-	-	6349-7	-
		9h	250VAC	0349-9	2349-9	3349-9	-	-	6349-9	-
		12h	120/250VAC single phase	0349-12	2349-12	3349-12	-	-	6349-12	-
	4P5W (5p)	5h	347/600VAC	0359-5	2359-5	3359-5	-	-	6359-5	-
		6h	200/346 to 240/415VAC	0359-6	2359-6	3359-6	-	-	6359-6	-
		7h	277/480VAC	0359-7	2359-7	3359-7	-	-	6359-7	-
		9h	120/208VAC	0359-9	2359-9	3359-9	-	-	6359-9	-

TECHNICAL DATA

ELECTRICAL	
Insulation Voltage, Max (Volts)	16/20A and 32/30A = 690V (Plugs, Connectors, Receptacles, Inlets) 60A = 690V (Plugs, Connectors, Receptacles, Inlets)
Dielectric Withstanding Voltage	16/20A and 32/30A = 3000VAC (Plugs, Connectors, Receptacles, Inlets) 60A = 3000VAC (Plugs, Connectors, Receptacles, Inlets)
Current Interrupting	IEC: Certified for current interrupting at 110% of the rated operating voltage and 125% of the rated current at a power factor of 0.6 (16A and 32A). UL: Certified for current interrupting at 100% of the rated operating voltage and 150% of the rated current at a power factor of 0.75-0.80 (20A and 30A) 150% of the rated current at a power factor of 0.75-0.80 (60A)
Endurance, Connect and disconnect cycles	IEC: 16A = 5000 with load at a power factor of 0.6 32A = 2000 (1000 alternating without load and 1000 with load at a power factor of 0.6) UL: 20A = 5000 with load at a power factor of 0.75-0.80 30A = 2000 (1000 alternating without load and 1000 with load at a power factor of 0.75-0.80) 60A = 2000 (1000 alternating without load and 1000 with load at a power factor of 0.75-0.80)

MECHANICAL	
Impact Resistance	Per IEC 60309-1 / Clause 24; UL 1682 and CSA C22.2 182.1 / Clause 5.13
Terminal Identification	Per IEC 60309-1 / Sub-clause 7.5; UL 1682 and CSA C22.2 No. 182.1

ENVIRONMENTAL	
Temperature Range, Operating	-25°C to +80°C (-13°F to +176°F)
Moisture Resistance	16/20A and 32/30A: Splashproof IP44; Watertight IP67 60A: IP rating: IP6X, X6, X7, X9k (watertight); UL type 4,4X
UV Endurance	UV Stabilized Material
Flammability	Per IEC 60309-1 / Clause 27: Contact Carrying Parts: 850°C Non Contact Carrying Parts: 650°C Flame Class Rating UL 94 or CSA C22.2 No.0.17: V-2

MATERIAL	16/32A and 20/30A	60A
Housing (Front and Back)	Polyamide 6	Polyamide 6
Cover	Polyamide 6	Polyamide 6
Hinged lid axle	Polyamide 6	Polycarbonat
Cover Spring	Spring steel (stainless steel)	Spring steel (stainless steel)
Contact Carrier	Polyamide 6	Polyamide 6 glass fiber reinforced
Contacts	Brass or Nickel-plated Brass	Brass or Nickel-plated Brass
Terminal Screws	Steel, Brass or Nickel-plated Brass	Steel
Cord Clamp / Bushing	Polypropylene and Thermoplastic Elastomer	Polyamide 6 glass fiber reinforced
Gland Nut	Polyamide 6	Polyamide 6 glass fiber reinforced
Locking Ring	Polyamide 6	Polycarbonat
Assembly Screws	Steel	Stainless steel

RECOMMENDED SIZE FOR CONNECTABLE CONDUCTORS (>50V)

Amp Rating		Flexible Wire for Plugs, Connectors, Receptacles, Inlets		Solid Wire for Receptacles, Inlets	
Series I	Series II	Series I	Series II	Series I	Series II
16A	20A	1-2.5mm ²	AWG 16-12	1-4mm ²	-
32A	30A	2.5-6mm ²	AWG 14-10	2.5-10mm ²	-
	60A	-	AWG 10-4	-	-

CORDAGE PREPARATION

CONDUCTOR	LENGTH	STRIP
16A / 20A	50mm / 1.97"	10-12mm / 0.39-0.47"
32A / 30A	50mm / 1.97"	12-14mm / 0.47-0.55"
60A	100mm / 3.94"	15-18mm / 0.59-0.71"

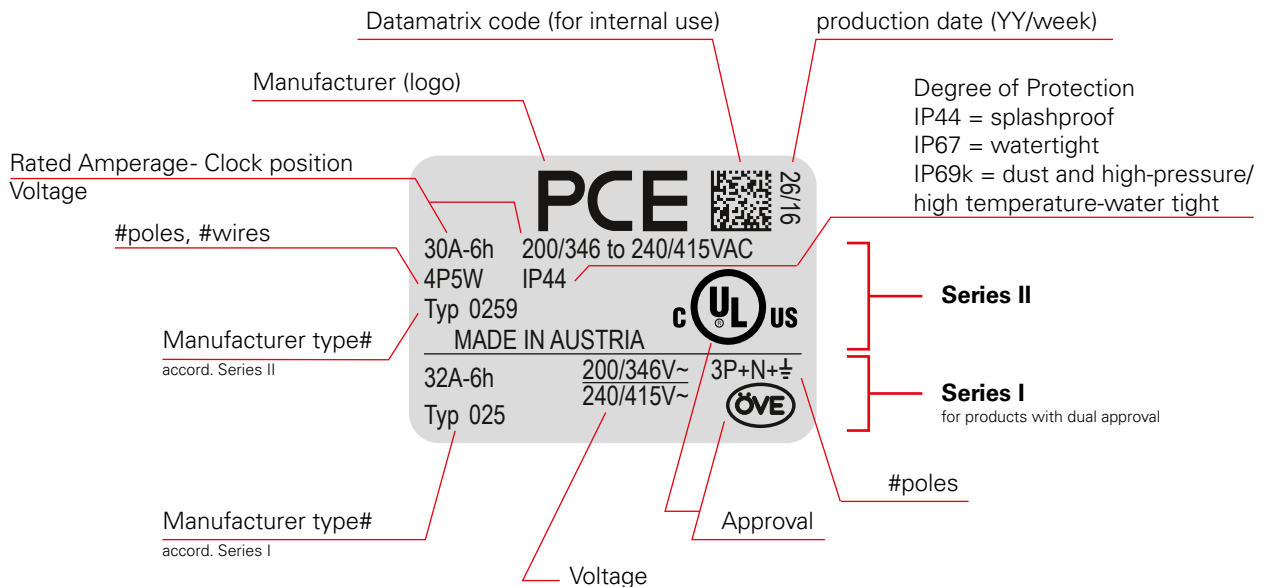


RECOMMENDED TORQUE TABLE

Amp Rating	Terminal Screws for Plugs, Connectors, Receptacles, Inlets	Strain Relief for Plugs, Connectors	Housing Screws
16A / 20A	1.0 Nm / 8.85 lbf-in	5 Nm / 44.3 lbf-in	1.1 Nm / 9.74 lbf-in
32A / 30A	1.1 Nm / 9.74 lbf-in	7 Nm / 62 lbf-in	1.1 Nm / 9.74 lbf-in
60A	2 Nm / 17.7 lbf-in	7.45 Nm / 66 lbf-in (nut) 1.60 Nm / 14.2 lbf-in (clamp)	2 Nm / 17.7 lbf-in

MARKING (LABEL)

Example: Label 0259-6



Example: Label 0259-6

Rated Amperage- Clock position Voltage

#poles, #wires

Manufacturer type#
accord. Series II

Manufacturer type#
accord. Series I

Datamatrix code (for internal use)

Manufacturer (logo)

production date (YY/week)

Degree of Protection
IP44 = splashproof
IP67 = watertight
IP69k = dust and high-pressure/
high temperature-water tight

Series II

Series I
for products with dual approval

#poles

Approval

Voltage

Label Markings:
 30A-6h 200/346 to 240/415VAC
 4P5W IP44
 Typ 0259
 MADE IN AUSTRIA
 32A-6h 200/346V~ 3P+N+⊥
 Typ 025 240/415V~
 PCE logo, QR code, 26/16, UL US, ÖVE